

Stand profiles

PS profiles



Characteristics

- For the quick and easy assembly of frames, tables and racks
- Aluminium, anodized
- Manufactured according to DIN EN 12020-2
- Lightweight, compact, sturdy
- Suitable for heavier loads
- Our clamping joints with profile boreholes and tension elements form very solid, warp-, twist- and bend-resistant connections between the profiles
- Profile cut upon request

Options:

- charcoal grey
- light grey

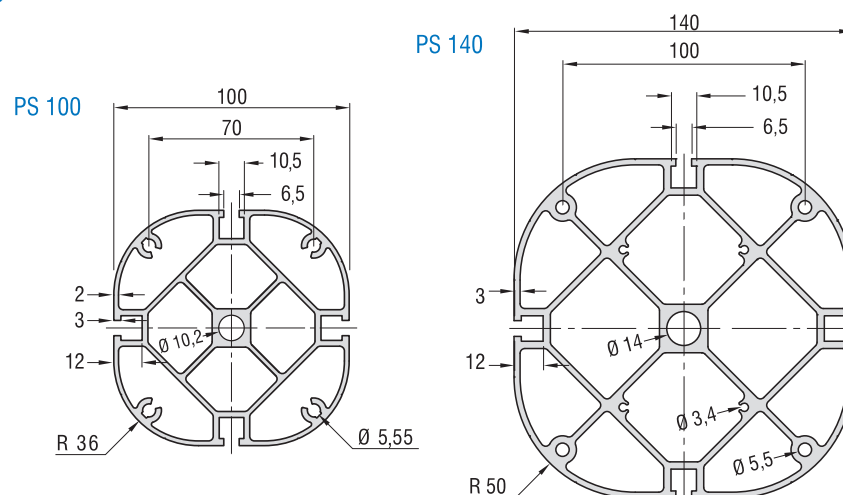
Technical specifications

	PS 100	PS 140
dimensions (W x H)	100 x 100 mm	140 x 140 mm
length	up to 3 m (special lengths upon request)	
weight	5,100 g/m	9,215 g/m
	4 T-groove indentions for slide nuts M6 4 hollow indentions Ø 5.55 mm for M6 hollow indentation Ø 10.2 mm for M12	4 T-groove indentions for slide nuts M6 4 hollow indentions Ø 5.5 mm for M6 4 hollow indentions Ø 3.4 mm for M4 hollow indentation Ø 14 mm for M16
inertia moment I_x	163.00 cm ⁴	601.80 cm ⁴
inertia moment I_y	163.00 cm ⁴	598.11 cm ⁴
moment of resistance W_x	32.60 cm ³	85.97 cm ³
moment of resistance W_y	32.60 cm ³	85.44 cm ³

Order data

Profile name	Item no.: L=3000 mm
PS 100 W 100 x H 100 mm	200 015 3000
PS 140 W 140 x H 140 mm	200 016 3000

Scale drawings



Technical specifications subject to change.