

Stand profiles

PS profiles



Characteristics

- For the quick and easy assembly of frames, tables and racks
- Aluminium, anodized
- Manufactured according to DIN EN 12020-2
- Lightweight, compact, sturdy
- Suitable for heavier loads
- Our clamping joints with profile boreholes and tension elements form very solid, warp-, twist- and bend-resistant connections between the profiles
- Profile cut upon request

Options:

- charcoal grey
- light grey

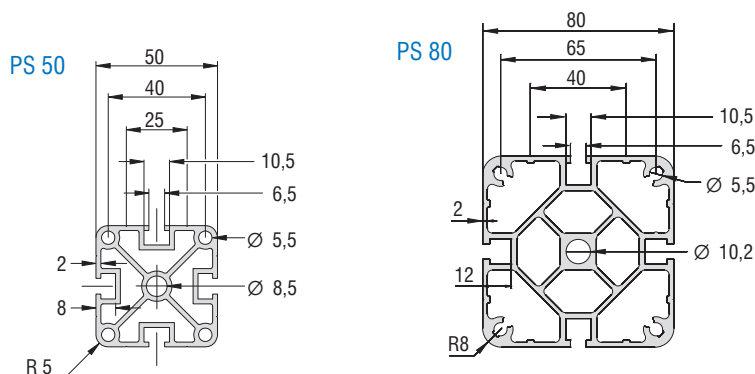
Technical specifications

	PS 50	PS 80
dimensions (W x H)	50 x 50 mm	80 x 80 mm
length	up to 3 m (special lengths upon request)	
weight	2,300 g/m	5,390 g/m
	4 T-groove indentions for slide nuts M6 4 hollow indentions Ø 5.5 mm for M6 hollow indentation Ø 8.5 mm for M10	4 T-groove indentions for slide nuts M6 4 hollow indentions Ø 8.5 mm for M10 hollow indentation Ø 10.2 mm for M12
inertia moment I_x	22.06 cm ⁴	135.95 cm ⁴
inertia moment I_y	22.06 cm ⁴	135.95 cm ⁴
moment of resistance W_x	8.82 cm ³	33.99 cm ³
moment of resistance W_y	8.82 cm ³	33.99 cm ³

Order data

Profile name	Item no.: L=3000 mm
PS 50 W 50 x H 50 mm	200 003 3000
PS 80 W 80 x H 80 mm	200 014 3000

Scale drawings



Technical specifications subject to change.