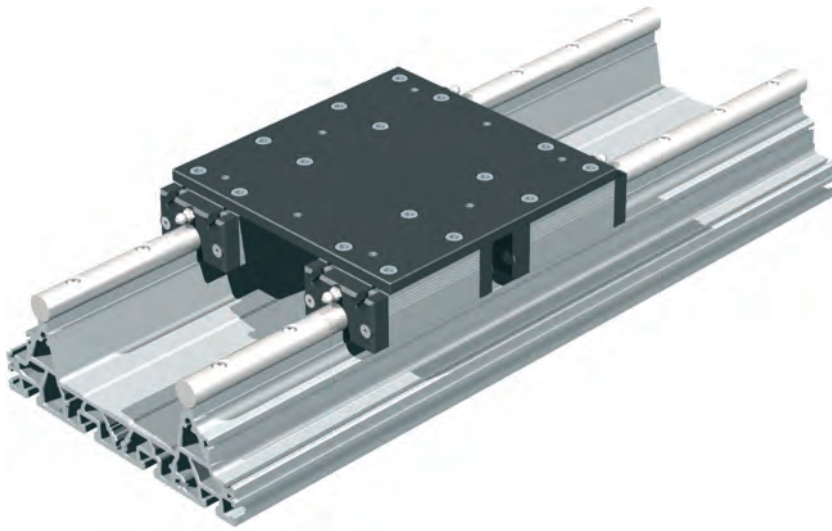


# Linear guide rail

# LFS-16-120



## Features

- W 190 × H 61 mm
- 2 precision steel shafts Ø 16
- anti-twist
- Aluminium shaft housing profile naturally anodised
- Securing from below with M6 tapped rails in T-groove profile
- conditionally not self-supporting
- Any guide length
- Weight: 10.2 kg/m

## Ordering key

**220 008 XXXX**

Length in mm (in 100 mm raster)

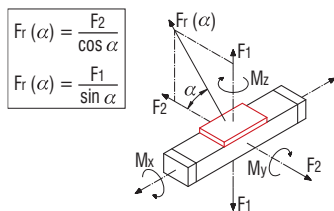
e.g. **0029** = Length 298

**0299** = Length 2998

Profile length = Length overall L -2 mm

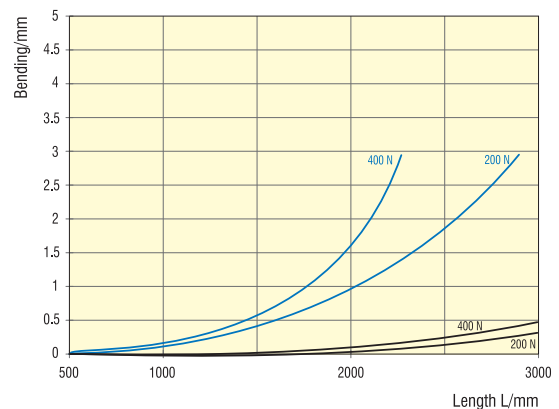
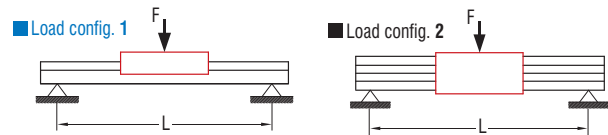
Special lengths to order

## Loading data



Unit with 2x IWS1		Unit with 2x ILS1		Unit with 4x IWS1		Unit with 4x ILS1	
C <sub>0</sub>	4929 N	C <sub>0</sub>	7598 N	C <sub>0</sub>	6572 N	C <sub>0</sub>	10130 N
C	2660 N	C	4857 N	C	3546 N	C	6476 N
F <sub>1</sub> stat.	4209 N	F <sub>1</sub> stat.	6488 N	F <sub>1</sub> stat.	5612 N	F <sub>1</sub> stat.	8650 N
F <sub>1</sub> dyn.	2271 N	F <sub>1</sub> dyn.	4148 N	F <sub>1</sub> dyn.	3028 N	F <sub>1</sub> dyn.	5530 N
F <sub>2</sub> stat.	4929 N	F <sub>2</sub> stat.	7598 N	F <sub>2</sub> stat.	6572 N	F <sub>2</sub> stat.	10130 N
F <sub>2</sub> dyn.	2660 N	F <sub>2</sub> dyn.	4857 N	F <sub>2</sub> dyn.	3546 N	F <sub>2</sub> dyn.	6476 N
M <sub>x</sub> stat.	253 Nm	M <sub>x</sub> stat.	389 Nm	M <sub>x</sub> stat.	337 Nm	M <sub>x</sub> stat.	519 Nm
M <sub>x</sub> dyn.	147 Nm	M <sub>x</sub> dyn.	195 Nm	M <sub>x</sub> dyn.	309 Nm	M <sub>x</sub> dyn.	476 Nm
M <sub>y</sub> stat.	173 Nm	M <sub>y</sub> stat.	228 Nm	M <sub>y</sub> stat.	361 Nm	M <sub>y</sub> stat.	557 Nm
M <sub>y</sub> dyn.	136 Nm	M <sub>y</sub> dyn.	249 Nm	M <sub>y</sub> dyn.	182 Nm	M <sub>y</sub> dyn.	332 Nm
M <sub>z</sub> stat.	79 Nm	M <sub>z</sub> stat.	124 Nm	M <sub>z</sub> stat.	167 Nm	M <sub>z</sub> stat.	304 Nm
M <sub>z</sub> dyn.	93 Nm	M <sub>z</sub> dyn.	146 Nm	M <sub>z</sub> dyn.	195 Nm	M <sub>z</sub> dyn.	356 Nm

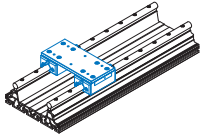
## Bending



# Linear guide rail

# LFS-16-120

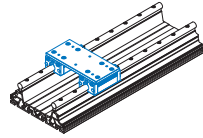
## Slide unit with 2 × steel slide ILS 1 (kit)



- L 84 × W 178 × H 8 mm
- ground steel plate
- 2 × ILS 1, central lubrication option
- adjustable for no play
- Total weight: 2.30 kg

Part no.: **223240 0009**

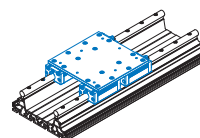
## Slide unit with 2 × aluminium slide IWS 1 (kit)



- L 84 × W 178 × H 8 mm
- ground steel plate
- 2 × IWS 1, central lubrication option
- adjustable for no play
- Total weight: 1.50 kg

Part no.: **223240 0007**

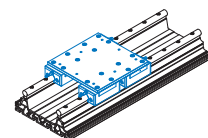
## Slide unit with 4 × aluminium slide IWS 1 (kit)



- L 180 × W 178 × H 8 mm
- ground steel plate
- 4 × IWS 1, central lubrication option
- adjustable for no play

Part no.: **223240 0008**

## Slide unit with 4 × steel slide ILS 1 (kit)

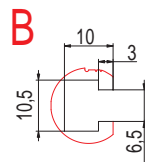
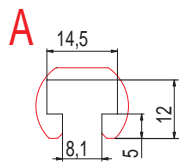
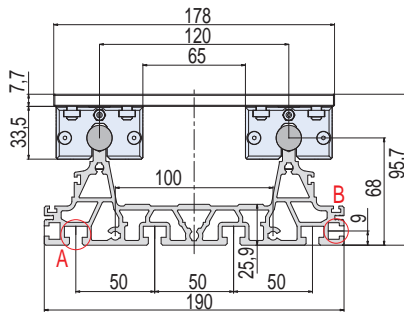


- L 180 × W 178 × H 8 mm
- ground steel plate
- 4 × ILS 1, central lubrication option
- adjustable for no play

Part no.: **223240 0010**

## Dimensioned drawings

Aluminium slide IWS 1



Steel slide ILS 1

